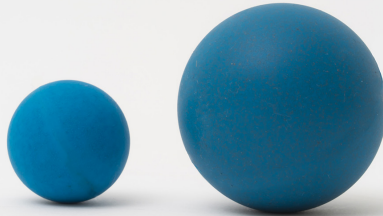


ARUBIS

PRODUCT CATALOG



SCREEN CLEANING BALLS

Cleaning balls are the easiest way to **clean sieves or meshes in any type of production line**. The diversity of compounds for these rubber balls ensure to deliver a solution to any specific industry.

- ✔ Custom sizes on demand
- ✔ Can be FDA approved
- ✔ Great variety of compounds to fit your needs
- ✔ High quality and long lifetime



Available in these compounds

Natural Rubber

EPDM

Neoprene

Silicone

Clear Polyurethane

Available in these standard diameters

5 mm

12 mm

16 mm

18 mm

20 mm

25 mm

26 mm

27.5 mm

28 mm

30 mm

35 mm

40 mm

50 mm

Other dimensions are possible on demand.



See product list for available items and specifications



More info and available item list on www.arubis.be/screen-cleaning-balls

MOLDED CORRUGATED SLEEVES | ROTEX™ DESIGN

Molded corrugated Sleeves specially **developed for ROTEX gyratory equipment**. Inside diameter with groove, which corresponds to bead ring of the inlets and outlets **to ensure a tight fit**.

- ✔ Can be FDA approved
- ✔ High quality and long lifetime
- ✔ Manufactured in any custom size and diameter to create a tight seal



Available in these compounds

Natural Rubber

EPDM

Neoprene

Silicone

Available in these standard diameters

4 inch

6 inch

8 inch

10 inch

Other dimensions are possible on demand.



See product list for available items and specifications



More info and available item list on www.arubis.be/molded-corrugated-sleeves-rotex

MOLDED CORRUGATED SLEEVES | SWECO™ DESIGN

Molded corrugated Sleeves specially developed for SWECO® gyratory equipment. Inside diameter with groove, which **corresponds to bead ring of the inlets and outlets**. These sleeves can be produced in a variety of standard sizes as well as custom made dimensions. They have **cuffs allowing easy and secure clamping** upon handling the product.

- ✔ Can be FDA approved
- ✔ High quality and long lifetime
- ✔ Manufactured in any custom size and diameter to create a tight seal



Available in these compounds

Natural Rubber

EPDM

Neoprene

Silicone

Viton

Available in these standard diameters

3 inch

4 inch

6 inch

8 inch

10 inch

Other dimensions are possible on demand.



See product list for available items and specifications



More info and available item list on www.arubis.be/molded-corrugated-sleeves-sweco

MAGNETIC DETECTABLE BALLS

Balls with additives for metal detecting equipment allowing for easy identifying of possible rubber contamination.

- ✓ Custom sizes on demand
- ✓ No metal insert needed
- ✓ Can be FDA approved
- ✓ Wide range of working temperatures



Available in these compounds

Natural Rubber PU Silicone

Available in these standard diameters

12 mm 16 mm 20 mm 25 mm 30 mm 35 mm 40 mm 50 mm

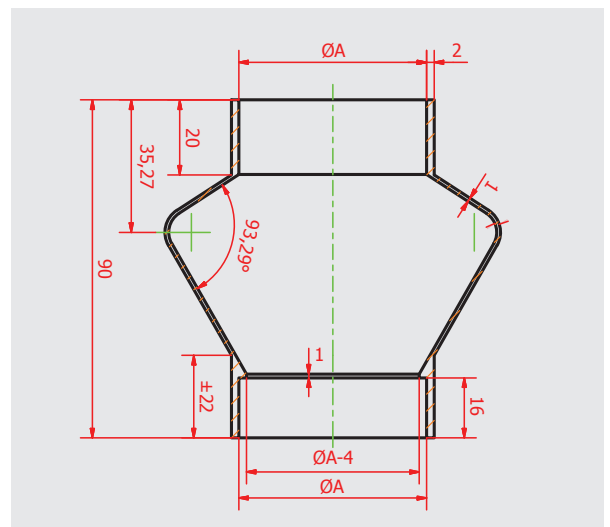
Other dimensions are possible on demand.

- ☰ See product list for available items and specifications
- 🌐 More info and available item list on www.arubis.be/metal-detectable-balls-in-pu-and-silicone

WEIGHING BELLOWS

Arubis weighing bellows are the **flexible** part that will often be found as the **connection in mixers**, feeders or any type of weighing or supply machine. This connection produces **almost no reactive force** and has **no influence on the weighing** principle.

- ✓ Diameter can be stretched up to 20%
- ✓ Shape prevents any residual substances
- ✓ FDA approved
- ✓ Anti static



Available in these compounds

Transparent Silicone

Viton

Anti Static EPDM Black

Available in these standard diameters

59 mm

69 mm

75 mm

114 mm

149 mm

159 mm

199 mm

259 mm

299 mm

359 mm

399 mm

Other dimensions are possible on demand.



See product list for available items and specifications



More info and available item list on www.arubis.be/weighing-bellows

SPONGE CLEANING BALLS

Arubis cleaning balls are the key to a **durable and ecological tube cleaning** system. The sponge texture ensures a full cleaning of every type of tube material. They are **often used to clean debris in pipes or tubes in the cement industry**, thanks to the versatile use of any type of liquid.

- ✔ Can be made in any custom size to create an exact fit
- ✔ Very durable, reusable and ecological way to clean tubes



Available in these compounds

Natural Rubber

Available in these standard diameters

20 mm	24 mm	25 mm	30 mm	31 mm	35 mm	38 mm	40 mm	42 mm
50 mm	55 mm	60 mm	70 mm	75 mm	80 mm	85 mm	90 mm	100 mm
110 mm	125 mm	128 mm	130 mm	140 mm	150 mm	160 mm	175 mm	180 mm
200 mm	220 mm	225 mm	230 mm	250 mm				

Other dimensions are possible on demand.

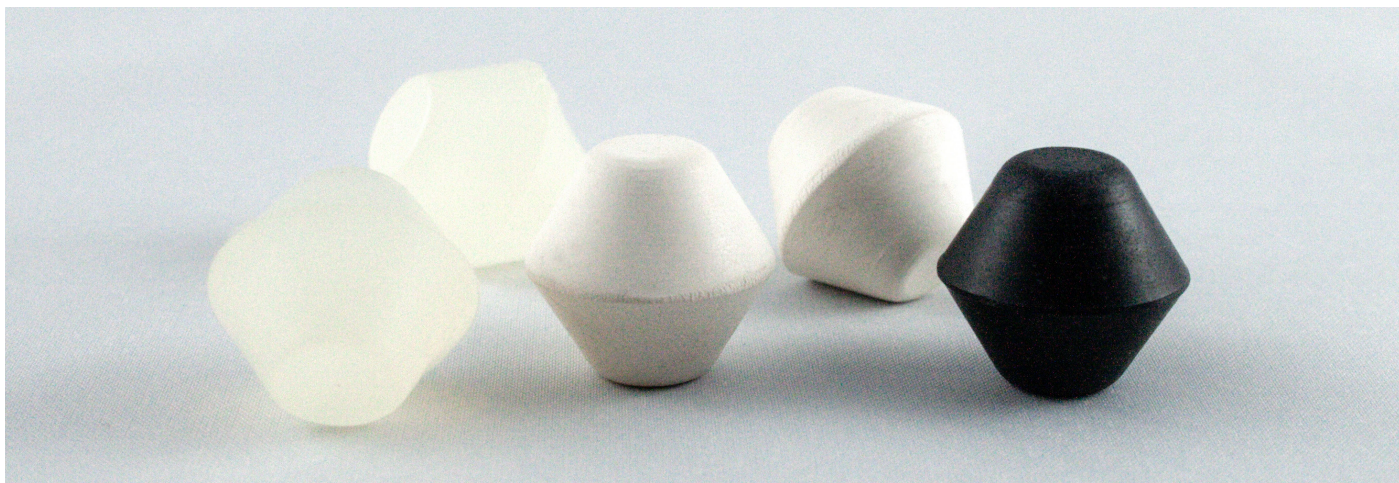
 **See product list for available items and specifications**

 **More info and available item list on www.arubis.be/sponge-cleaning-balls**

PARALLELEPIPEDUM BALLS

Balls in an unusual parallelepipedum shape for the sifting industry. These odd balls can often be found in the sifting industry **where normal round balls can't be used.**

- ✓ Unusual shape for unusual bounce
- ✓ Available in Natural Rubber and PU
- ✓ High quality and long lifetime



Available in these compounds

Natural Rubber

PU



See product list for available items and specifications



More info and available item list on www.arubis.be/parallelepipedum-balls

DETECTABLE BALLS WITH METAL INSERT

Arubis rubber balls can be ordered with or without a metal core. A small metal insert can be placed inside the rubber compound to make it a **metal detectable ball**. Another function of rubber balls with steel core is to **have random bounces**. These balls with metal insert are commonly used to clean parts in the sifting industry normal balls can't reach.

- ✓ Metal detectable
- ✓ Custom diameters on demand
- ✓ Used for random bounces
- ✓ Can be FDA approved



Available in these compounds

Natural Rubber

Silicone

Available in these standard diameters

25 mm

30 mm

Other dimensions are possible on demand.



See product list for available items and specifications



More info and available item list on www.arubis.be/detectable-balls-metal-insert

BALLAST BALLS WITH A METAL CORE

Rubber ballast balls are balls weighted with a steel core inserted into the rubber compound.

- ✓ Metal detectable
- ✓ Used for random bounces
- ✓ Weighted
- ✓ Can be FDA approved



Available in these compounds

Natural Rubber

EPDM

NBR

Clear Polyurethane



See product list for available items and specifications



More info and available item list on www.arubis.be/ballast-balls

RUBBER INSPECTION COVERS | ROTEX™ DESIGN

These rubber covers can be used together with **inspection ports in tubing**.

- ✓ Can be made in any custom size to create an exact fit
- ✓ Used for any type of industrial machines where an inspection needs to be sealed.



Available in these compounds

Natural Rubber (Beige)

Natural Rubber (White)

Available in these standard diameters

10 inch



See product list for available items and specifications



More info and available item list on www.arubis.be/rubber-inspection-covers-rotex

RUBBER INSPECTION COVERS | SWECO™ DESIGN

These rubber covers can be used together with **inspection ports in tubing**.

- ✓ Can be made in any custom size to create an exact fit
- ✓ Used for any type of industrial machines where an inspection needs to be sealed.



Available in these compounds

Natural Rubber

EPDM

Silicone

Available in these standard diameters

100 mm

150 mm

200 mm

250 mm

300 mm

Other dimensions are possible on demand.



See product list for available items and specifications



More info and available item list on www.arubis.be/rubber-inspection-caps

DEBLINDING SLIDERS FOR SIFTING

These deblinding sliders are used as an **alternative to rubber balls** in the sifting industry and are commonly produced in nylon and polyurethane, but can be manufactured on demand.

✓ Used for scraping surfaces

✓ FDA approved

✓ Custom sizes on demand



Available in these compounds

PA

Polyurethane

Teflon

Available in these standard heights

16 mm

20 mm

21 mm

24 mm

26 mm

Other dimensions are possible on demand.



See product list for available items and specifications



More info and available item list on www.arubis.be/deblinding-sliders-for-sifting

SMOOTH POLYURETHANE (TPU) HOSES

These hoses are very elastic and smooth on the inside. Commonly used for screeners, compensators and bulk transport. They provide greater tear and abrasion resistance than natural rubber **with only 1mm thickness**. They are FDA, EEC 1935/2006 and can be used in food, pharma and agrochemical industry. These PU-hoses have absolutely no smell nor taste and are easy to clean thanks to their flexible design.

- ✓ Flexible and Airtight
- ✓ FDA approved
- ✓ Abrasion and tear resistant
- ✓ No smell nor taste and are easy to clean



Available in these compounds

Polyurethane (TPU)

Available in these standard diameters

100 mm

125 mm

150 mm

200 mm

275 mm

300 mm

Other dimensions are possible on demand.



See product list for available items and specifications



More info and available item list on www.arubis.be/smooth-polyurethane-hoses

CUSTOM PARTS ON DEMAND

Arubis not only has a stock of most common spare parts for the sifting industry, but can develop rubber and plastic parts as per your demand. Please **contact us** and we will provide the necessary steps to complete the product.



Contact us directly or use our online form at [www.arubis.be/ on-demand](http://www.arubis.be/on-demand)

TECHNICAL CHEMICAL RESISTANCE

Property	CR	EPDM	NBR	IIR	NR/SBR	SI	FPM	PU	FSI
Acedic Acid, 5%	●	●	●	●	●	●	●	●	●
Acetone	●	●	●	●	●	●	●	●	●
Acetylene	●	●	●	●	●	●	●	●	●
Acrylic Acid	●	●	●	●	●	●	●	●	●
Air, Below 100°C	●	●	●	●	●	●	●	●	●
Air, 100°C - 150°C	●	●	●	●	●	●	●	●	●
Alkenes	●	●	●	●	●	●	●	●	●
Aluminum Salts	●	●	●	●	●	●	●	●	●
Ammonia, Liquid	●	●	●	●	●	●	●	●	●
Ammonium Hydroxide	●	●	●	●	●	●	●	●	●
Ammonium Salts	●	●	●	●	●	●	●	●	●
Aniline	●	●	●	●	●	●	●	●	●
Animal Oil & Fats	●	●	●	●	●	●	●	●	●
Anti-Freeze Solutions	●	●	●	●	●	●	●	●	●
ASTM Oil, No. 1	●	●	●	●	●	●	●	●	●
ASTM Fuel B	●	●	●	●	●	●	●	●	●
Beer	●	●	●	●	●	●	●	●	●
Benzene	●	●	●	●	●	●	●	●	●
Butane	●	●	●	●	●	●	●	●	●
Butanol (Butyl Alcohol)	●	●	●	●	●	●	●	●	●
Carbon Dioxide	●	●	●	●	●	●	●	●	●
Chloric Acid	●	●	●	●	●	●	●	●	●
Crude Oil	●	●	●	●	●	●	●	●	●
Detergents	●	●	●	●	●	●	●	●	●
Drinking Water	●	●	●	●	●	●	●	●	●
Ethane	●	●	●	●	●	●	●	●	●
Ethanol	●	●	●	●	●	●	●	●	●
Ethers	●	●	●	●	●	●	●	●	●
Fish Oil	●	●	●	●	●	●	●	●	●
Gasoline	●	●	●	●	●	●	●	●	●
Glucose	●	●	●	●	●	●	●	●	●

EXCELLENT

FAIR

POOR

NOT RECOMMENDED

Property	CR	EPDM	NBR	IIR	NR/SBR	SI	FPM	PU	FSI
Glycols	●	●	●	●	●	●	●	●	●
Hydrogen Gas, Cold	●	●	●	●	●	●	●	●	●
Hydrogen Peroxide	●	●	●	●	●	●	●	●	●
Methane	●	●	●	●	●	●	●	●	●
Methanol	●	●	●	●	●	●	●	●	●
MEK	●	●	●	●	●	●	●	●	●
Milk	●	●	●	●	●	●	●	●	●
Motor Oils	●	●	●	●	●	●	●	●	●
Naptha	●	●	●	●	●	●	●	●	●
Natural Gas	●	●	●	●	●	●	●	●	●
Nitric Acid (< 50%)	●	●	●	●	●	●	●	●	●
Nitrogen	●	●	●	●	●	●	●	●	●
Olive Oil	●	●	●	●	●	●	●	●	●
Oxygen, Liquid	●	●	●	●	●	●	●	●	●
Ozone	●	●	●	●	●	●	●	●	●
Paraffins	●	●	●	●	●	●	●	●	●
Phosphoric Acid Conc.	●	●	●	●	●	●	●	●	●
Potassium Hydroxide	●	●	●	●	●	●	●	●	●
Propane	●	●	●	●	●	●	●	●	●
Sea (Salt) Water	●	●	●	●	●	●	●	●	●
Sewage	●	●	●	●	●	●	●	●	●
Soap Solutions	●	●	●	●	●	●	●	●	●
Sodium Hydroxide	●	●	●	●	●	●	●	●	●
Steam Below 150°C	●	●	●	●	●	●	●	●	●
Sulfuric Acid, Conc	●	●	●	●	●	●	●	●	●
Toluene	●	●	●	●	●	●	●	●	●
Transformer Oil	●	●	●	●	●	●	●	●	●
Transmission Fluid A	●	●	●	●	●	●	●	●	●
Vegetable Oil	●	●	●	●	●	●	●	●	●
Vinegar	●	●	●	●	●	●	●	●	●
Water	●	●	●	●	●	●	●	●	●
Wines & Liquor	●	●	●	●	●	●	●	●	●
Xylene	●	●	●	●	●	●	●	●	●

EXCELLENT

FAIR

POOR

NOT RECOMMENDED

ARUBIS

Arubis not only has a **stock of most common spare parts** for the sifting industry, but can develop rubber and plastic parts as per your demand.

Do not hesitate and send your sample together with **your requirements** to our office in Brussels so that we can elaborate a **free quotation**.

We are convinced that our **quality and price** will convince you to work with 'Arubis' for all rubber and plastic spare parts.



ARUBIS bvba

Haachtsesteenweg 162

1820 Steenokkerzeel, BELGIUM

Phone: +32(0)2 257 18 78

Fax: +31 840 033 410

info@arubis.be

VAT: 0830 251 704